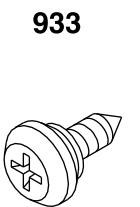
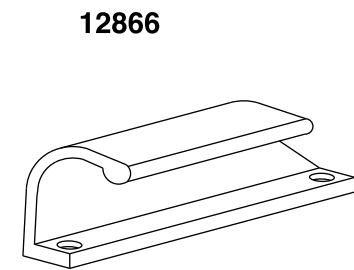
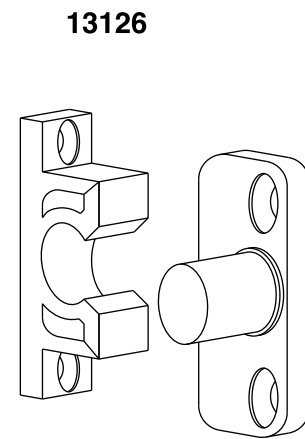
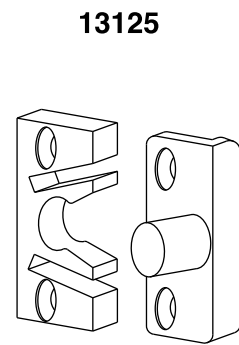
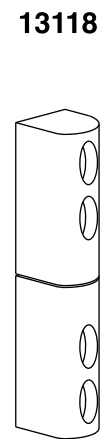
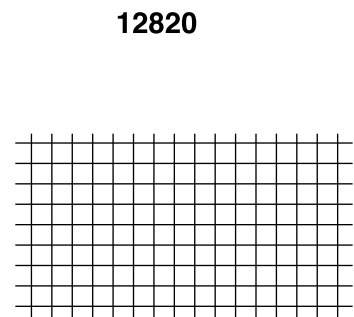
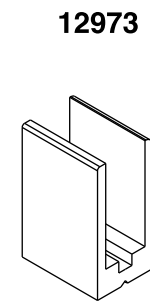
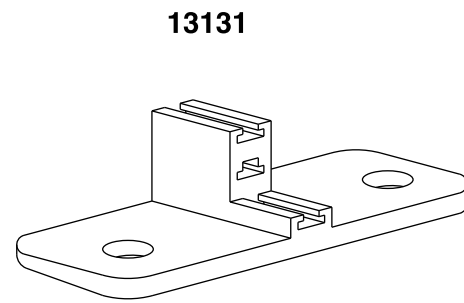
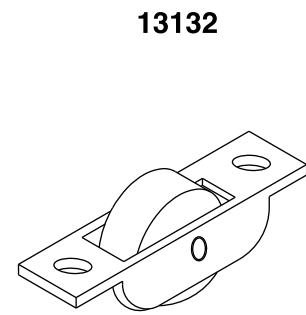
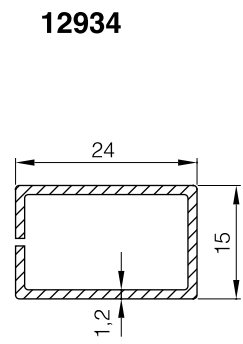
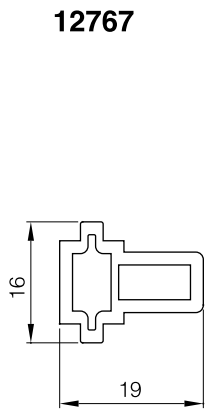
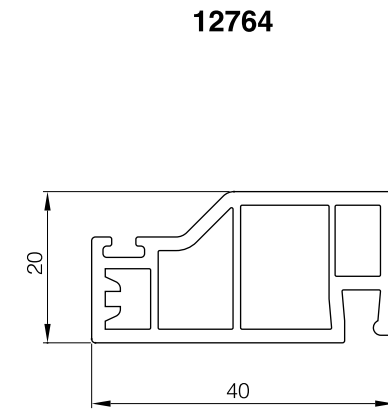
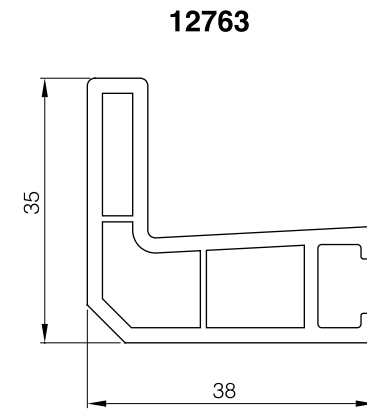
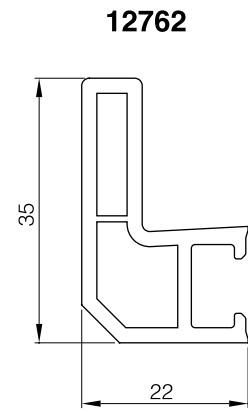
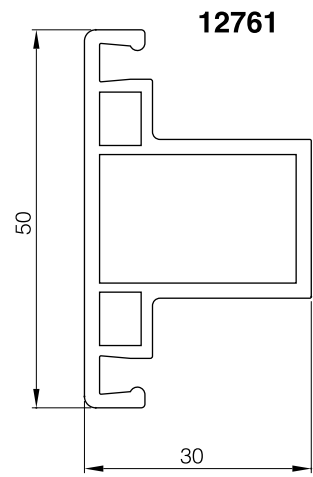
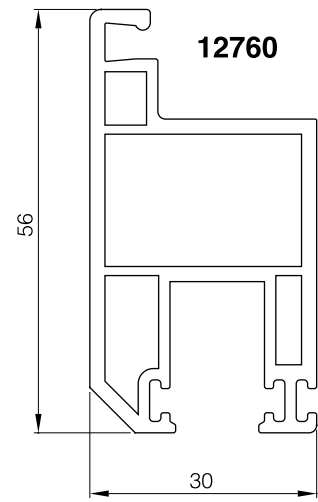




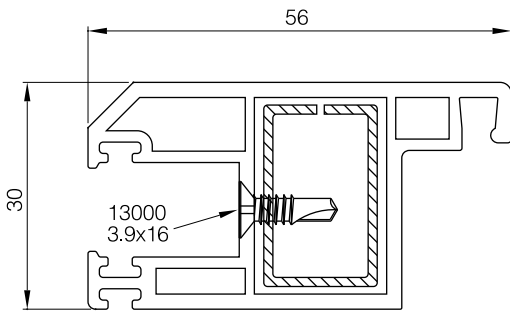
flyscreen

T E C H N I C A L M A N U A L

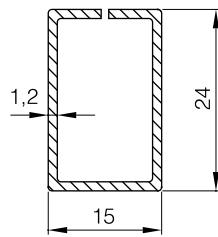
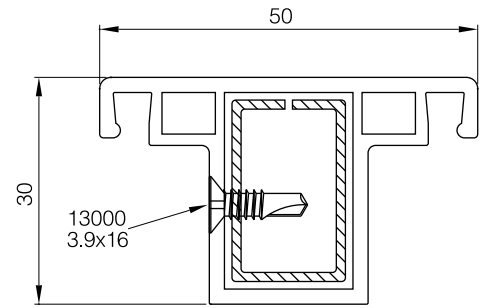
	page number
• system profiles and auxiliaries	5
• main profiles	7
• rail application	8
• production	9
• brushes	11
• preparation fo transom	12
• flyscreen wedge	13
• flyscreen details	14
• inward opening flyscreen	21



12760

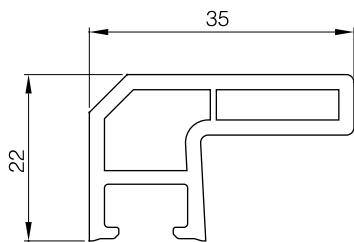


12761

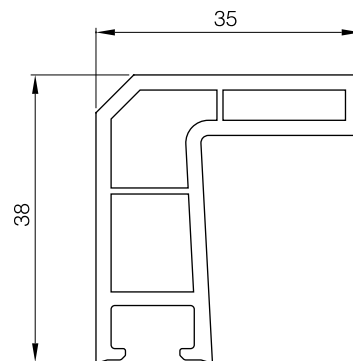


Y
12934
 Ix : 0.6534 cm⁴
 Iy : 0.3145 cm⁴
 X

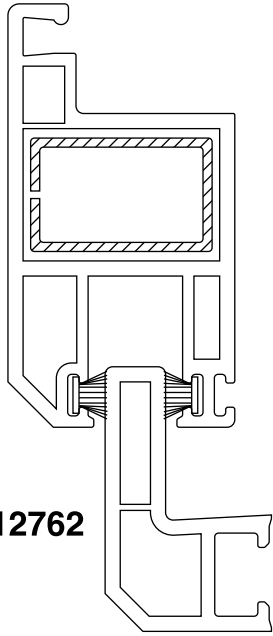
12762



12763

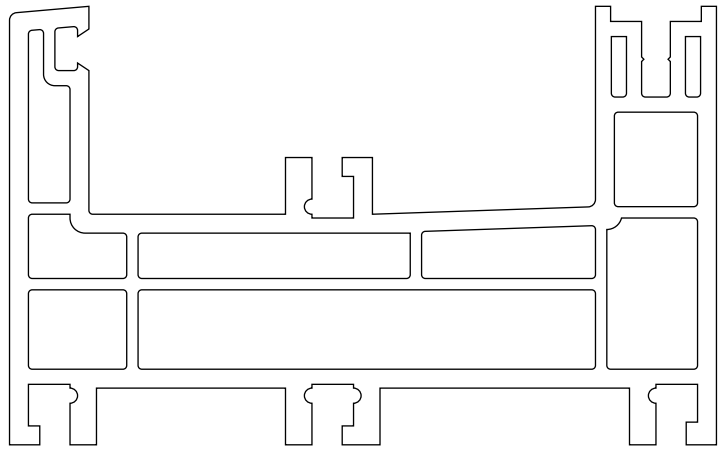


12760

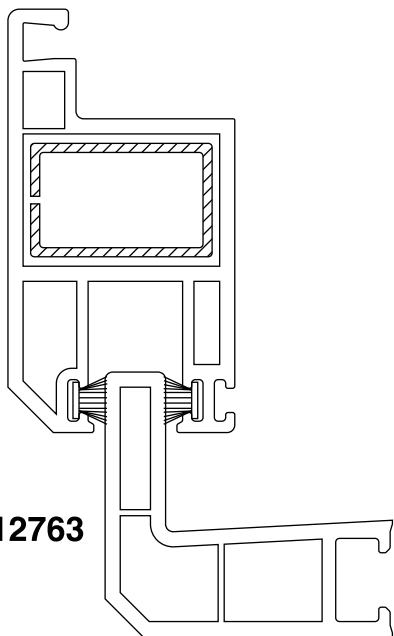


12762

12401

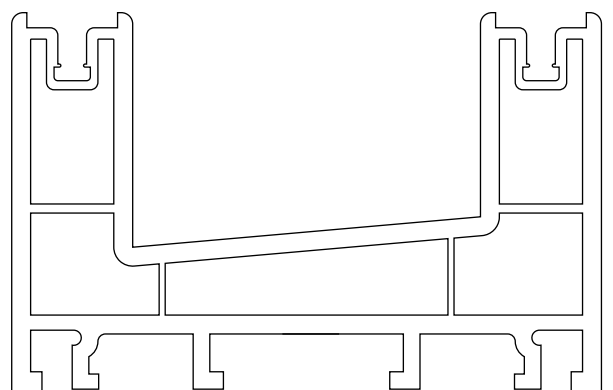


12760

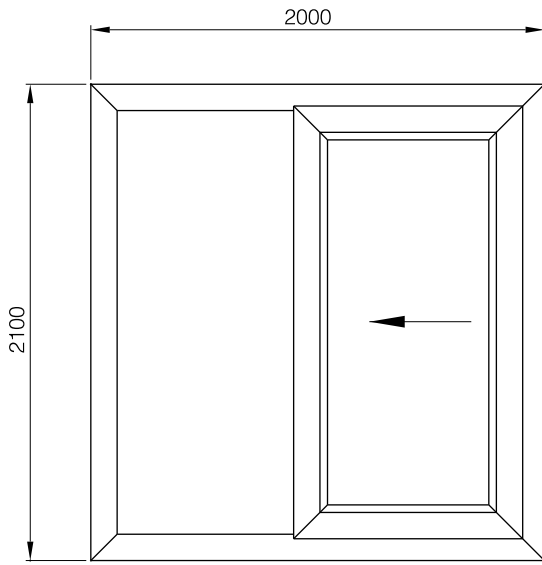


12763

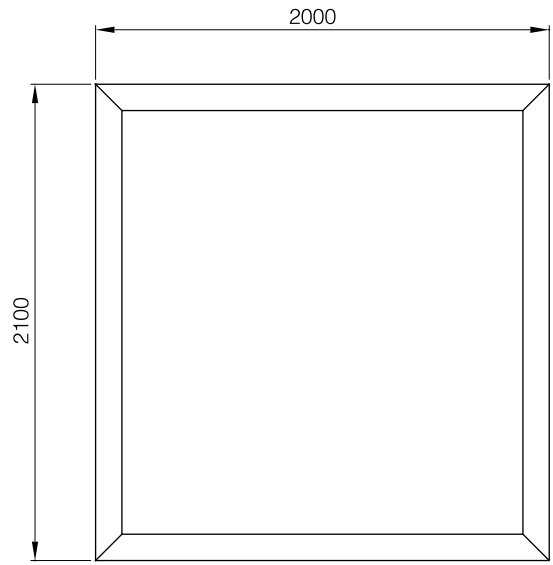
12402



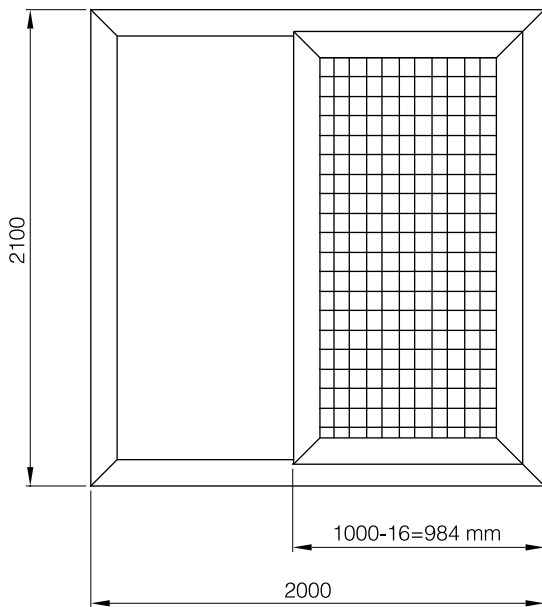
sliding window



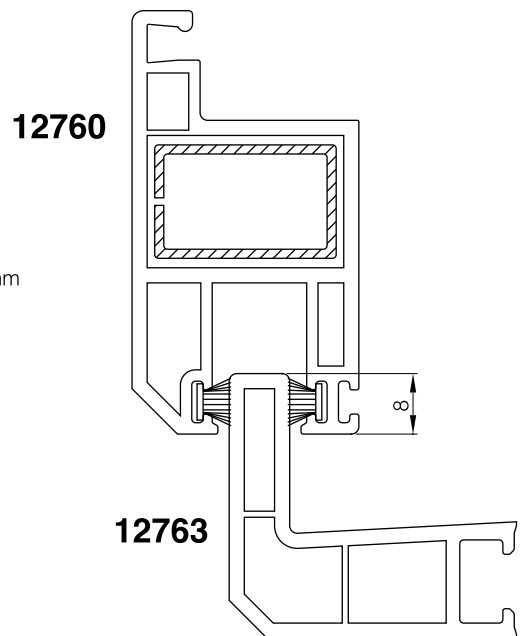
flyscreen rail 12762 or 12763



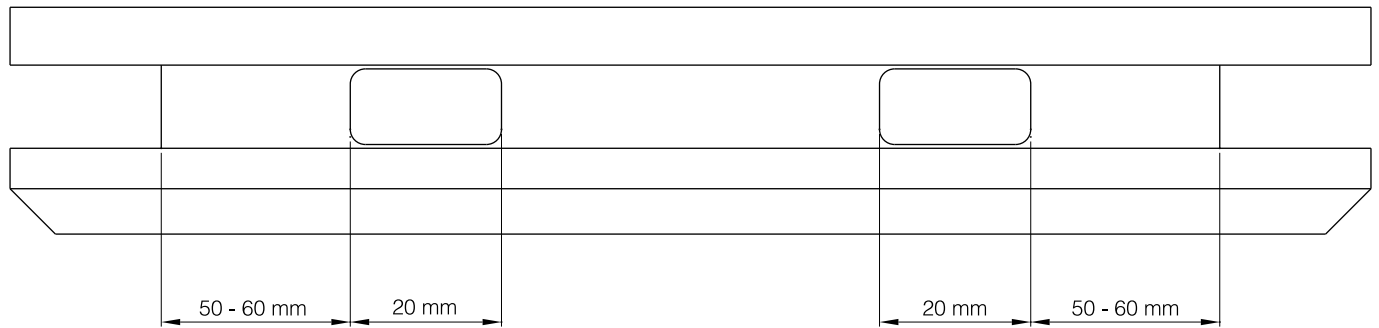
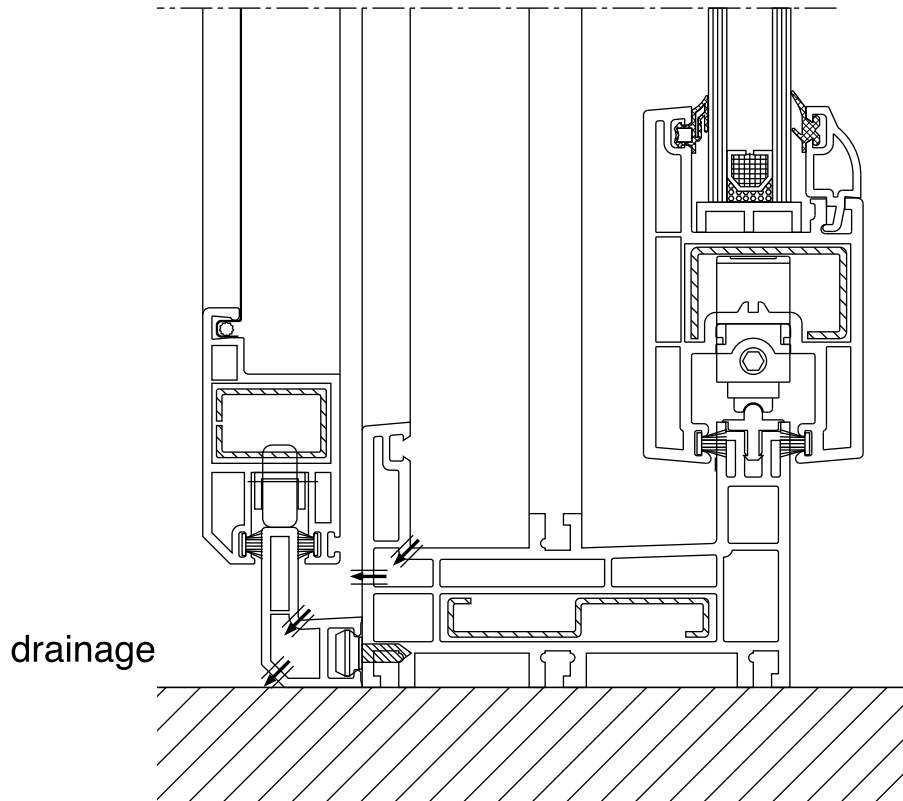
flyscreen sash calculation



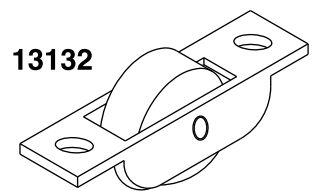
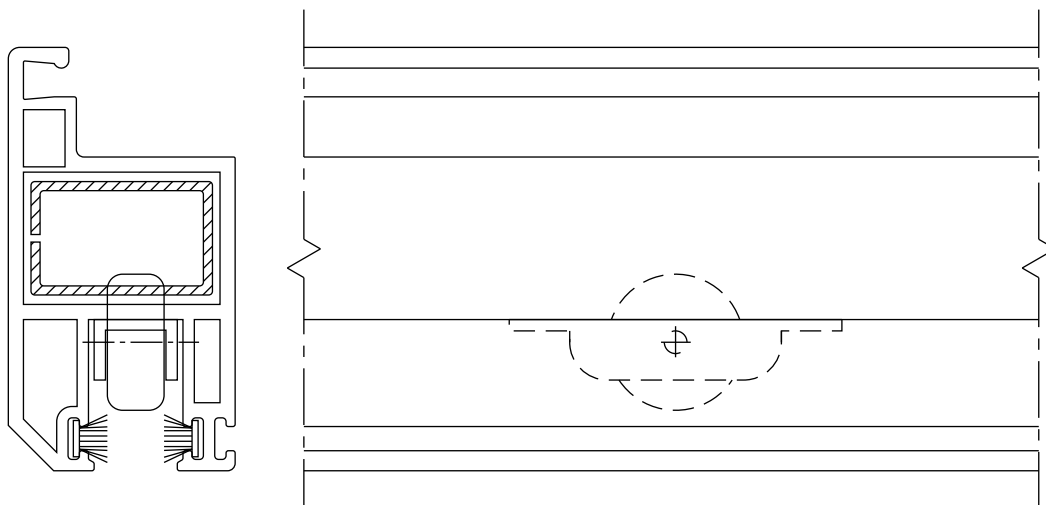
$2100 - 54 = 2046 \text{ mm}$

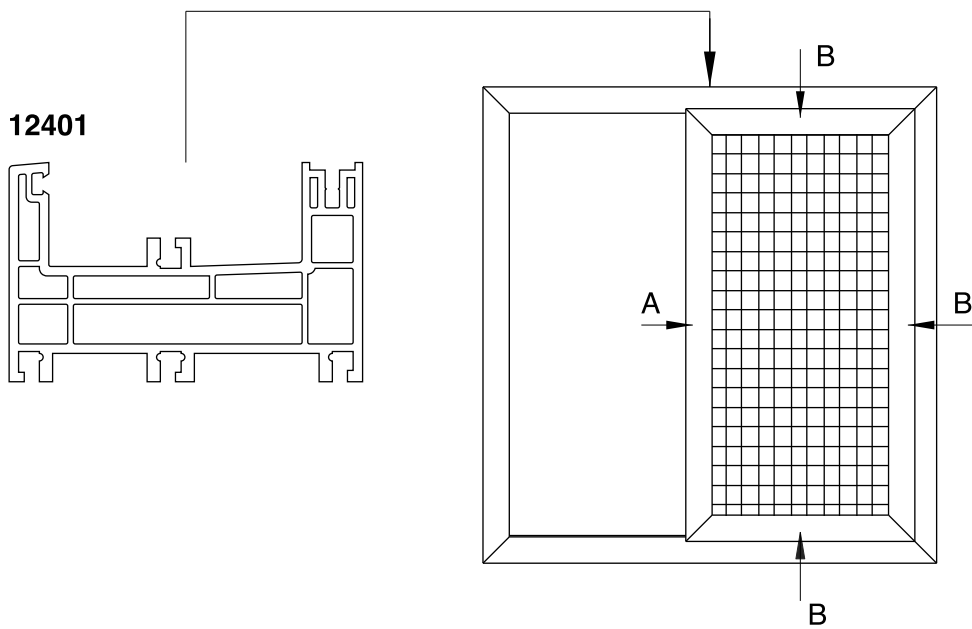
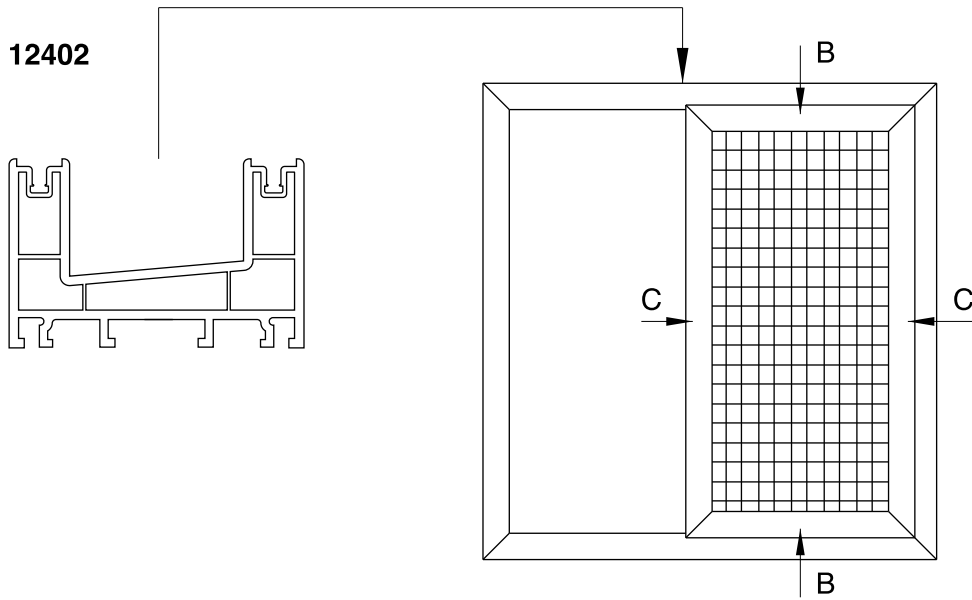
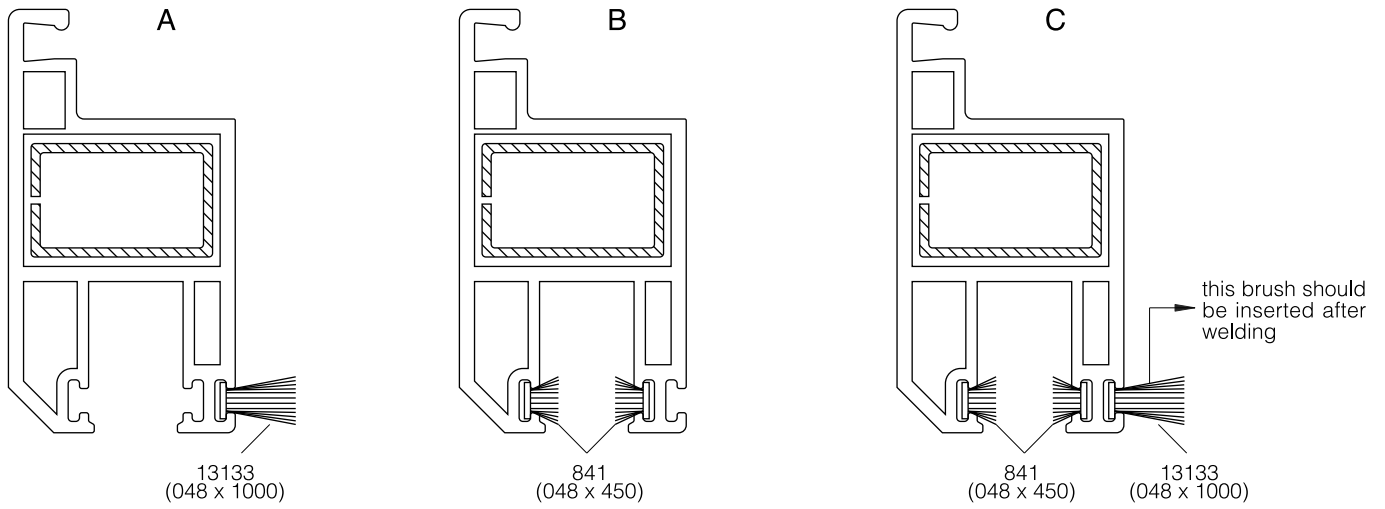


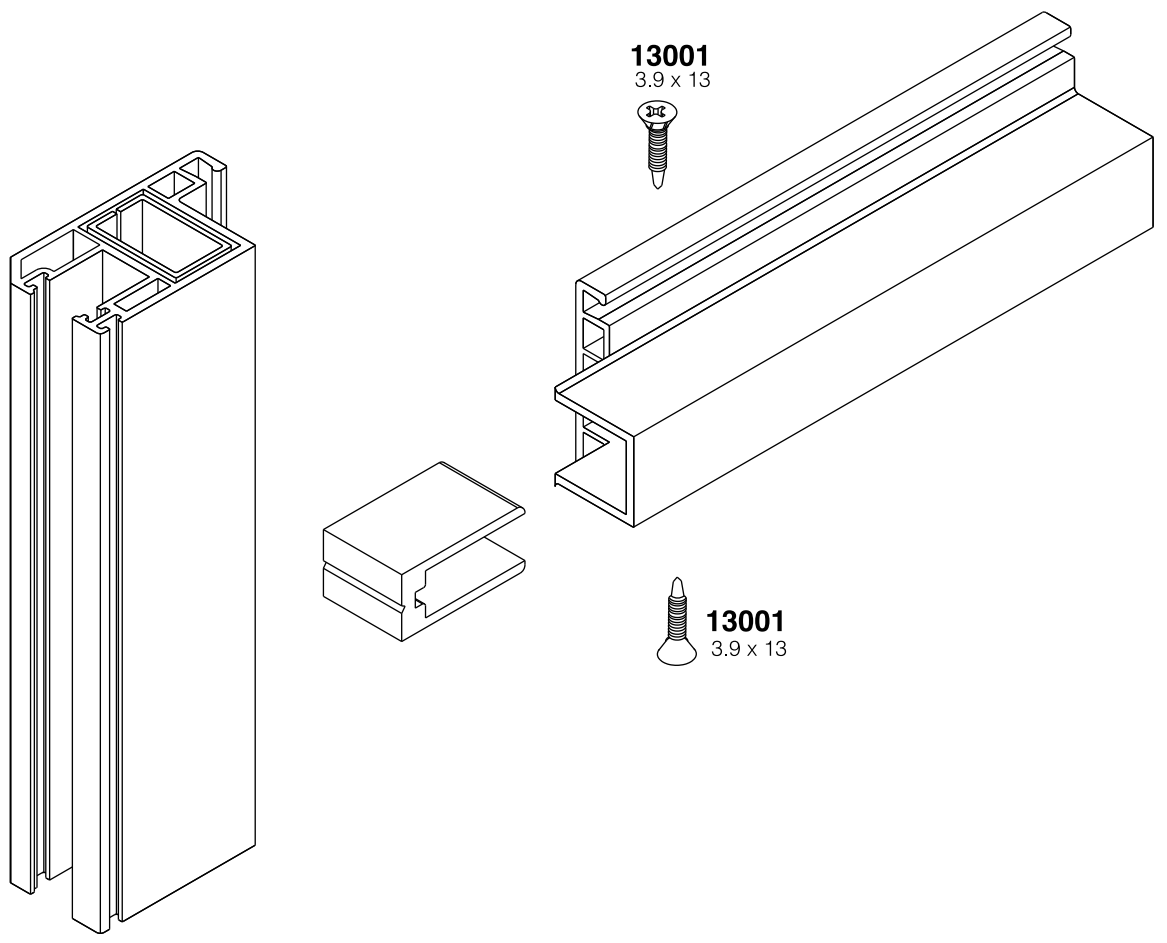
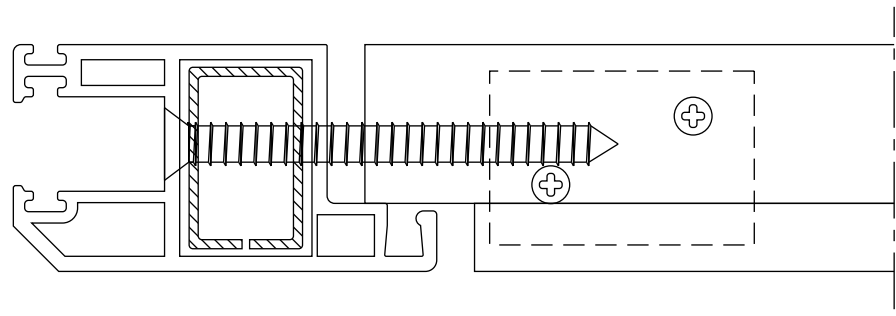
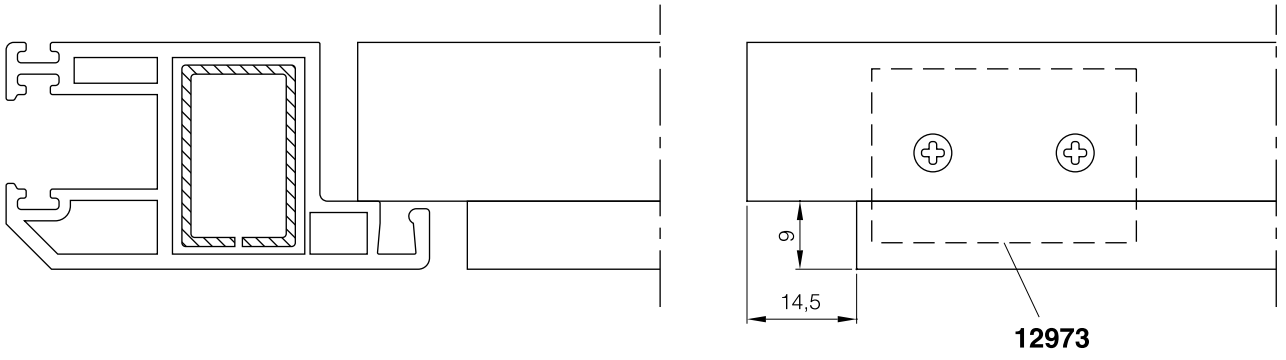
welding thickness is not included.

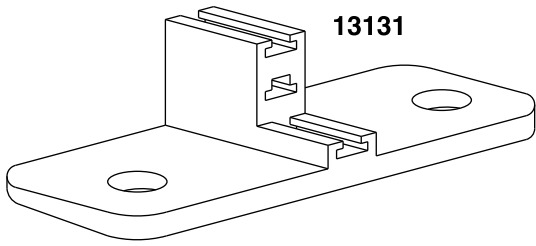


flyscreen pulley

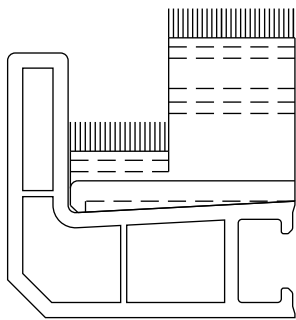




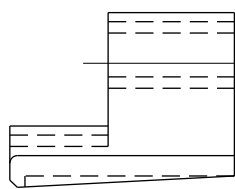
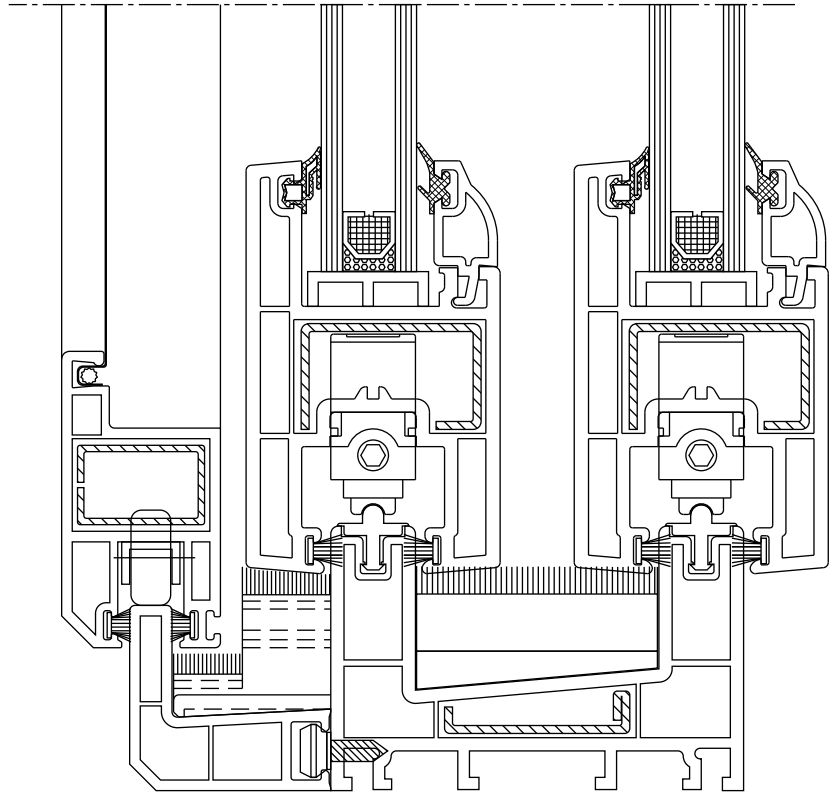




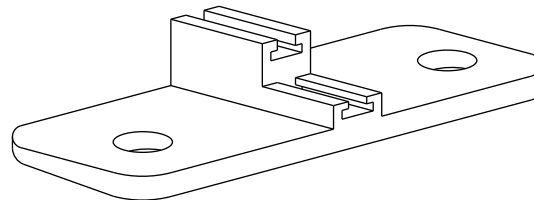
13131



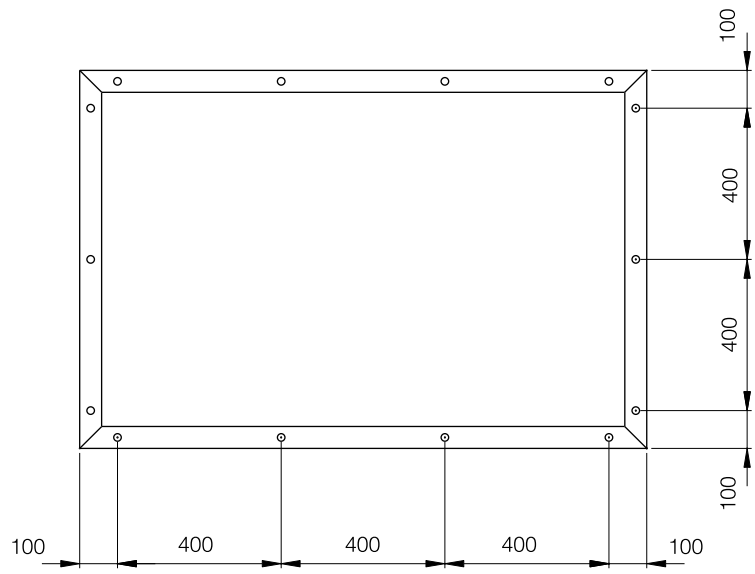
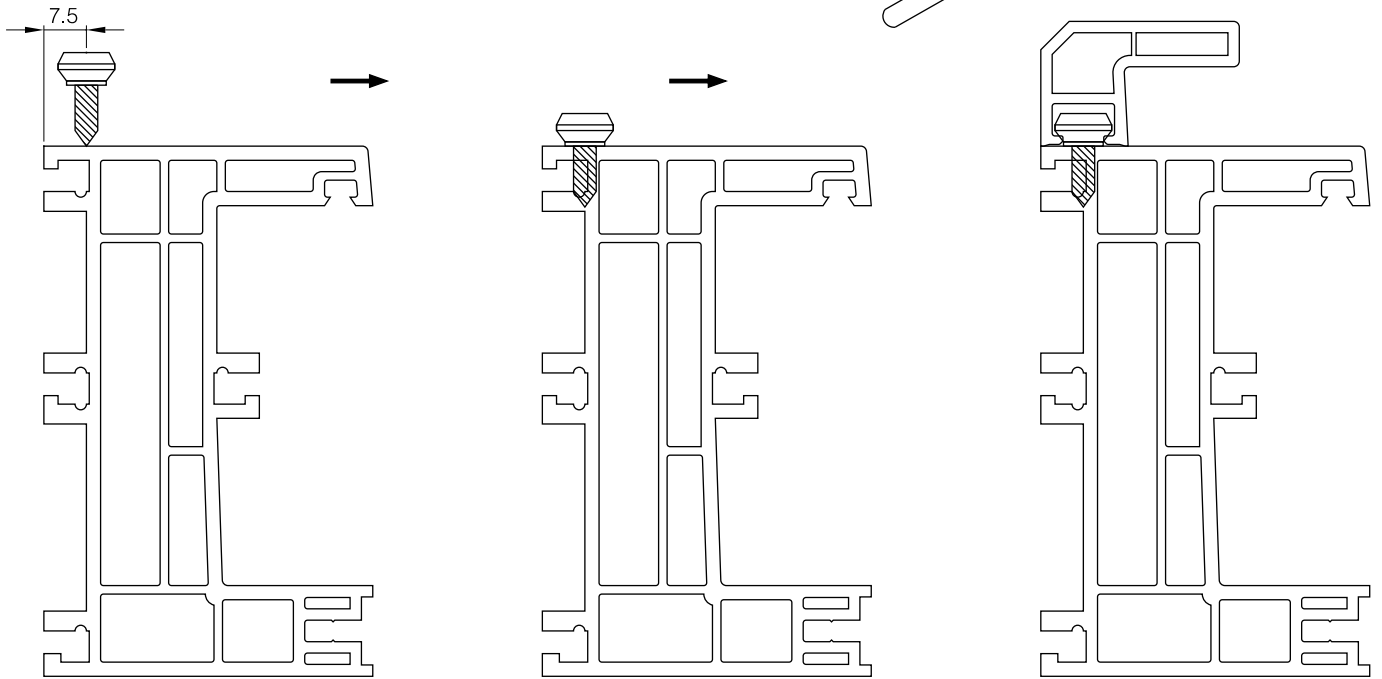
12763

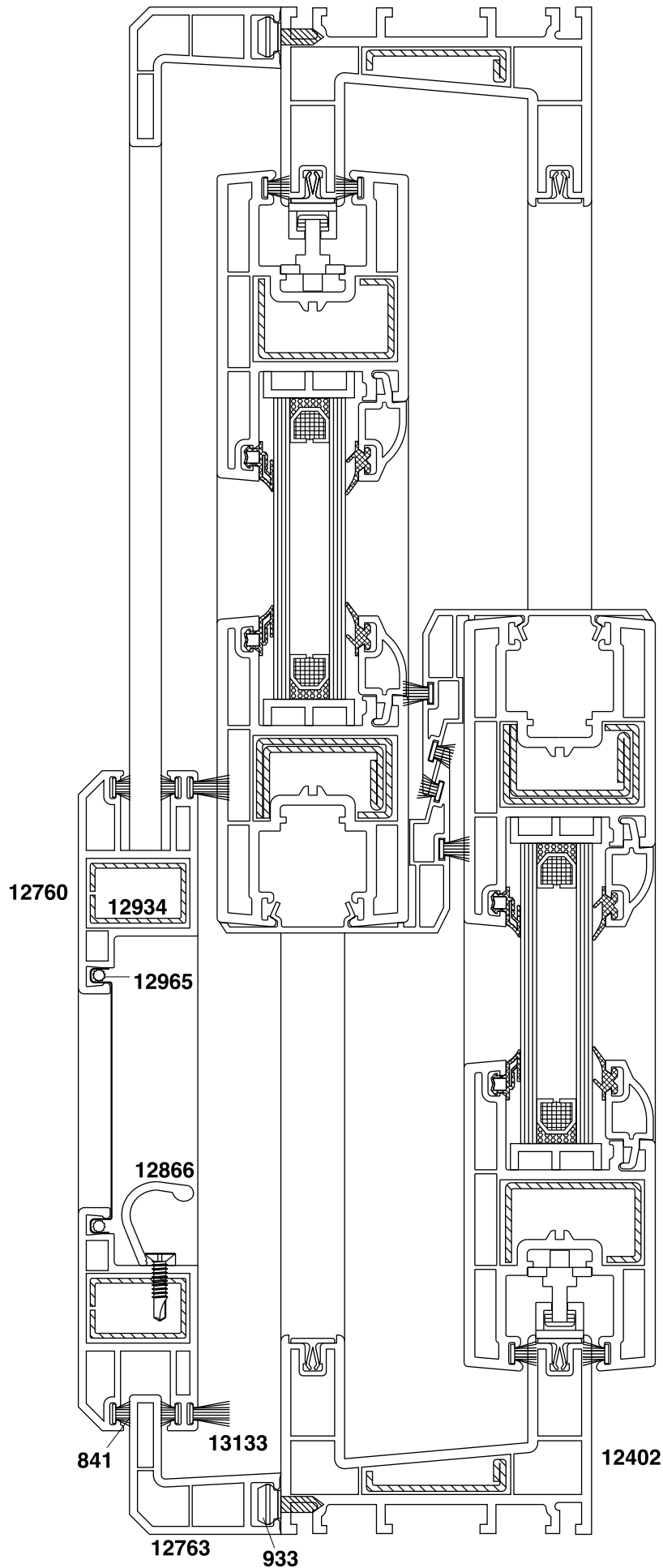
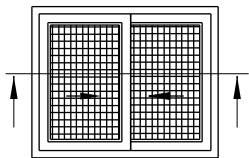


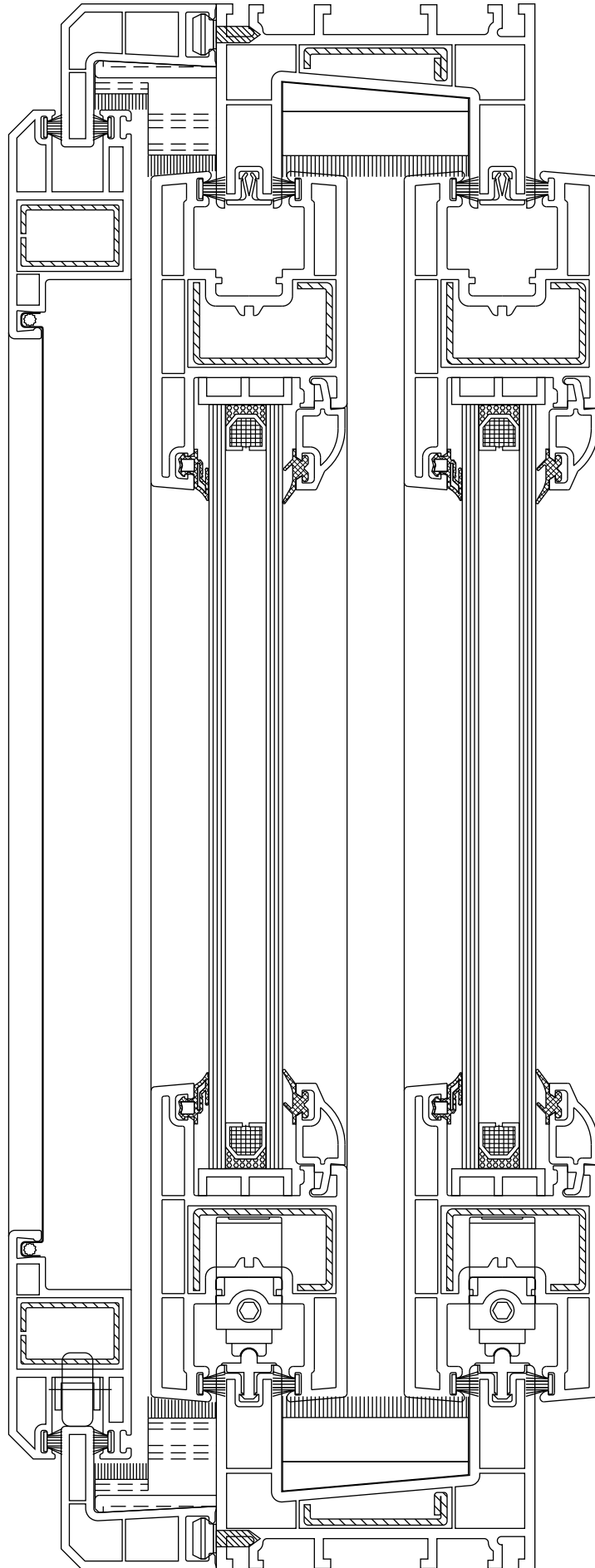
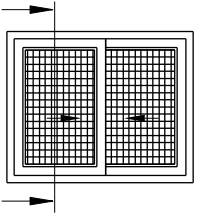
cutting

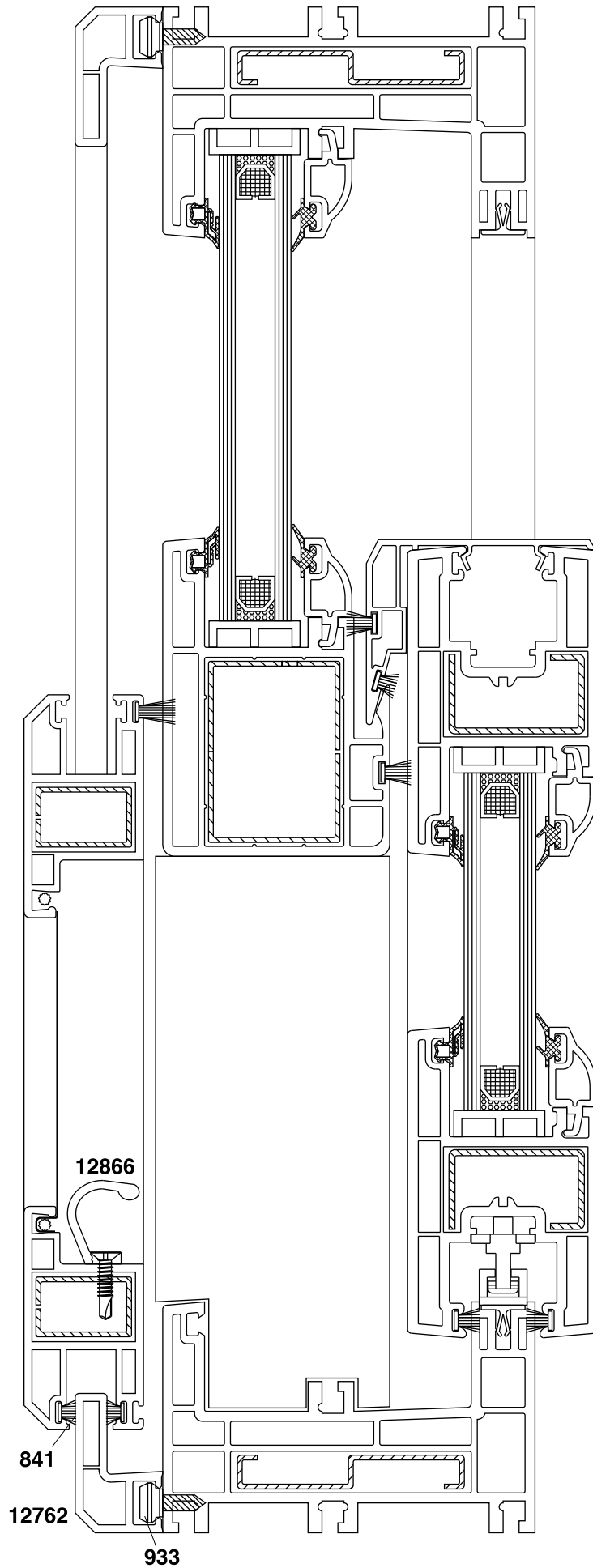
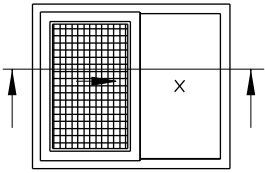


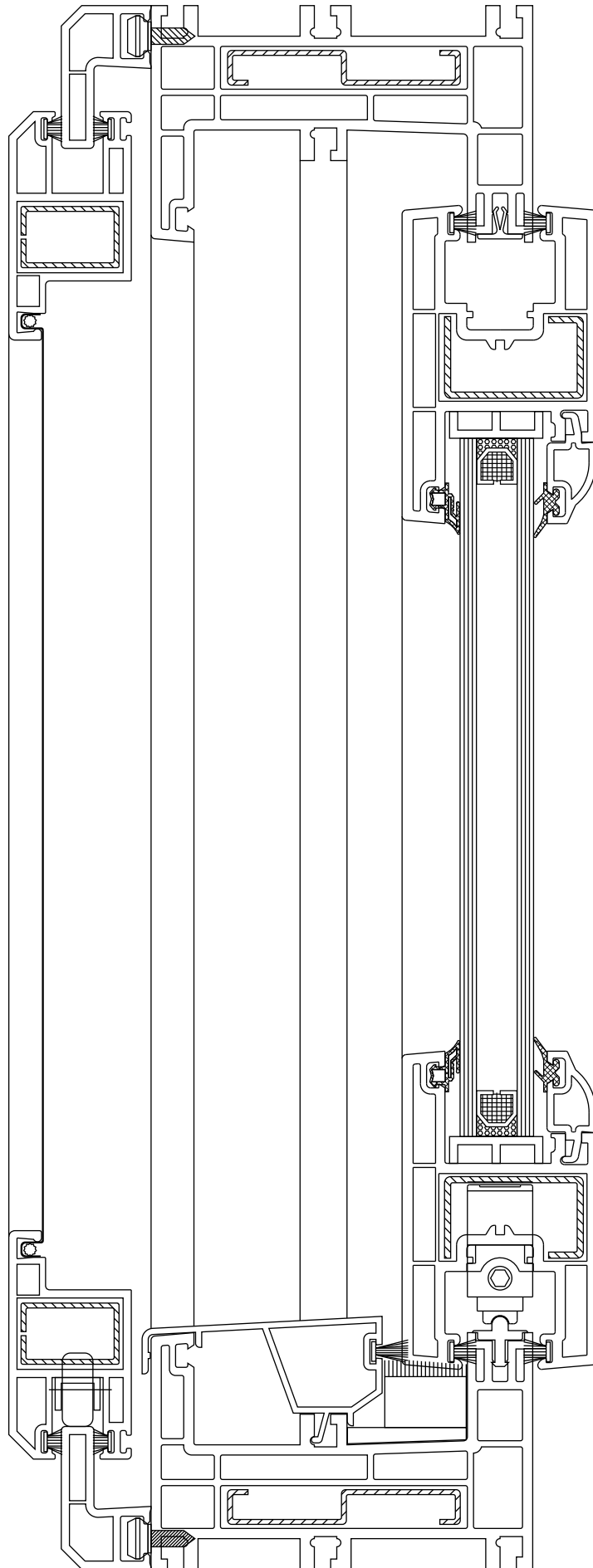
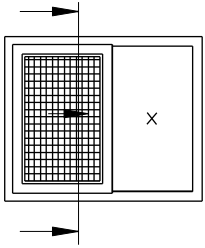
12401

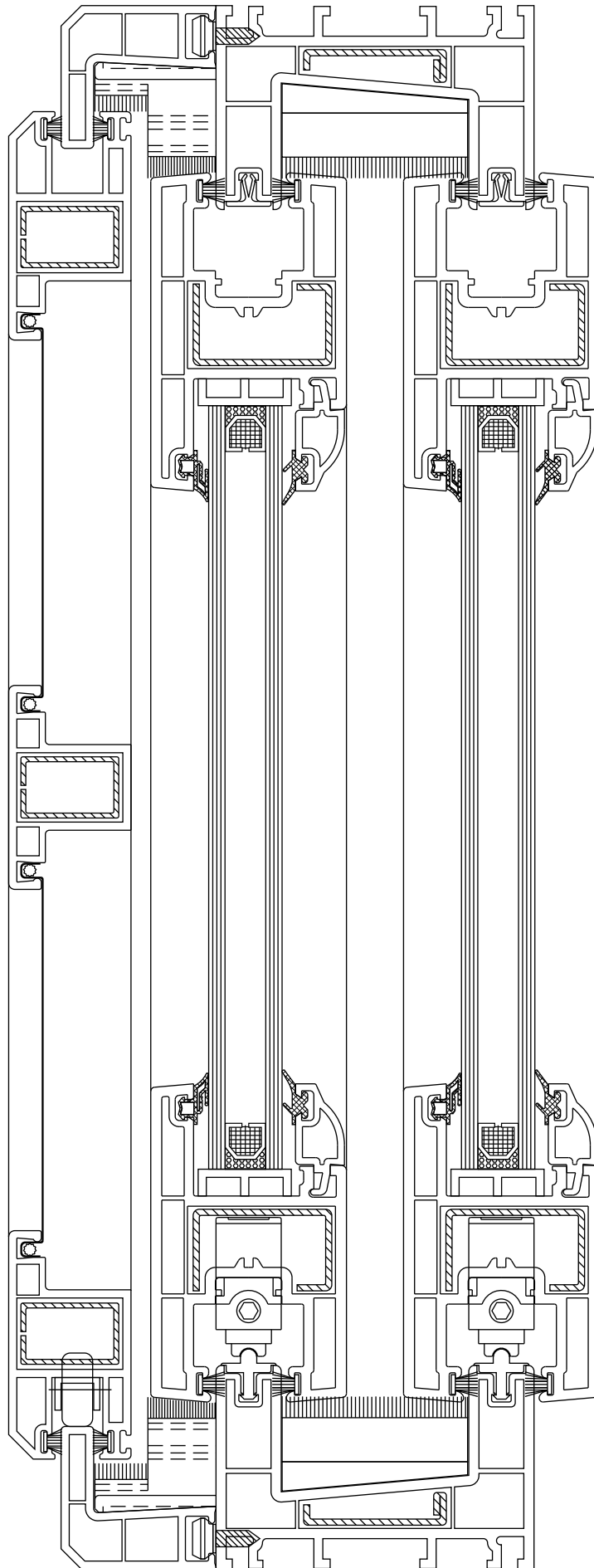
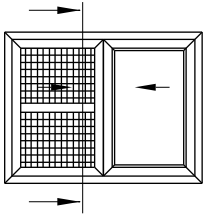


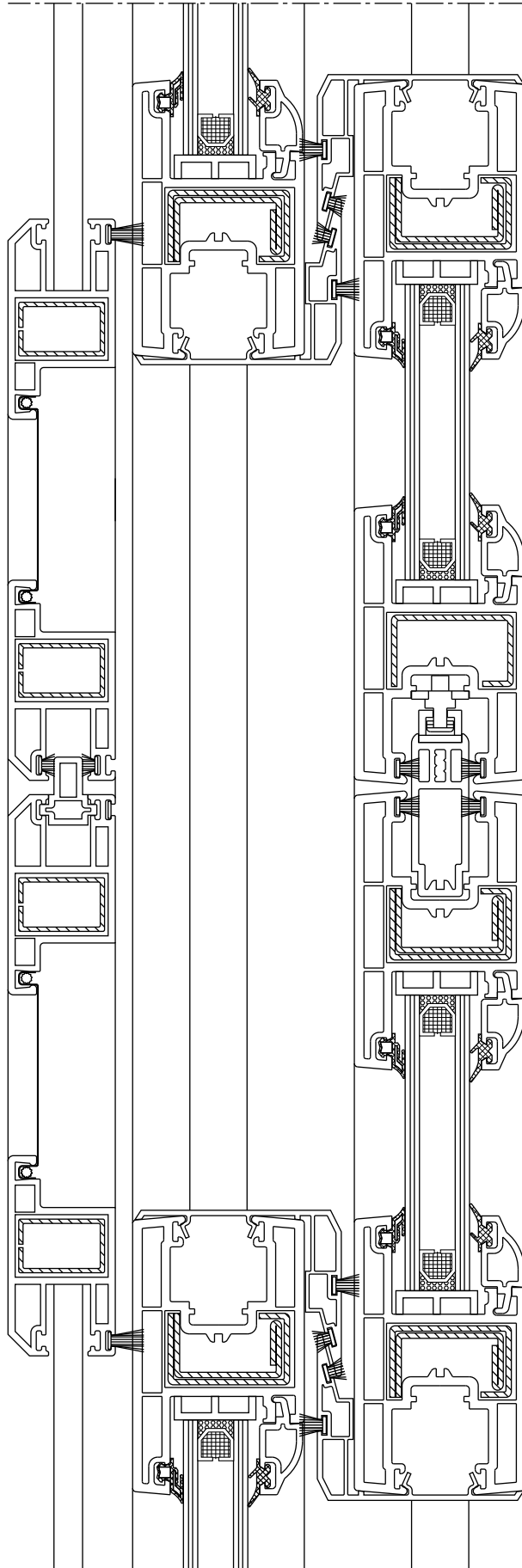
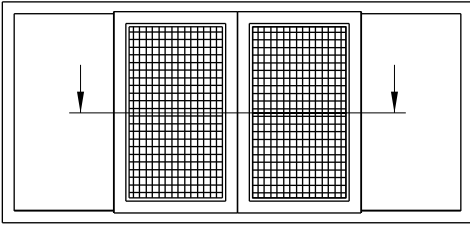


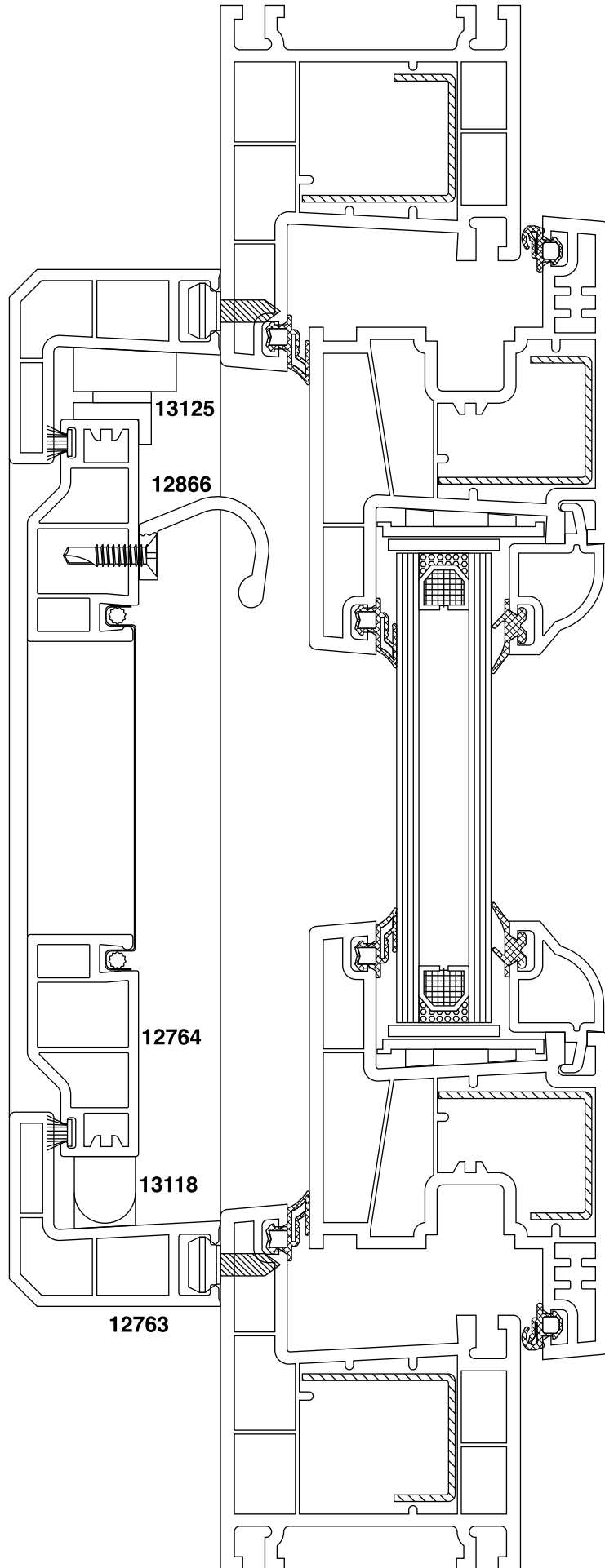
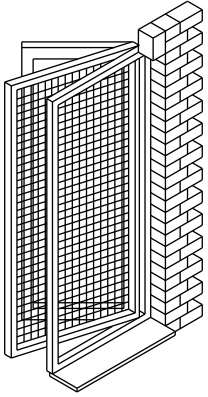












deceuninck[®] 

flyscreen